

# RTM

## Weigh Module

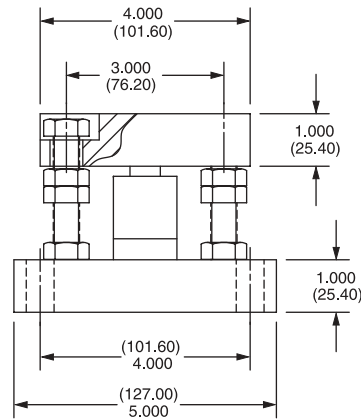
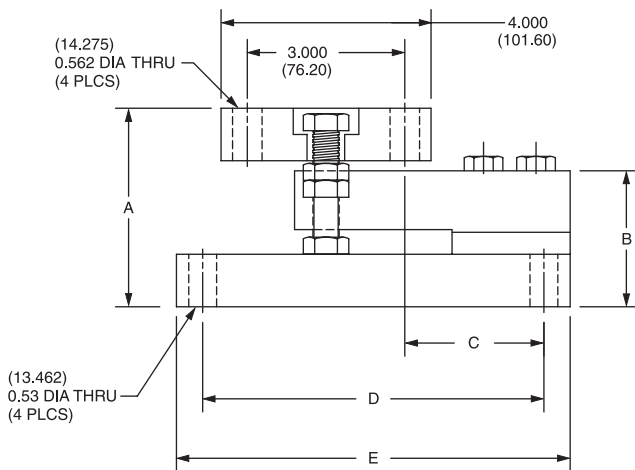
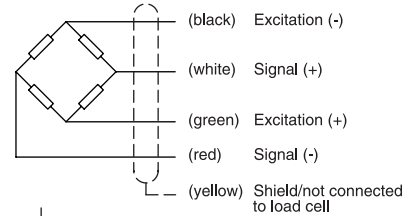


### Special Features

- Low profile
- Hermetically sealed
- Stainless steel construction
- Overload and overlift protection
- Protection class IP65
- Integral lateral stops
- Rocker pin load introduction

### Dimensions: inch (mm)

CAPACITY Lbs	A	B	C	D	E	Cable Length ft (m)
500-2.5K	3.782 (96.063)	2.590 (65.786)	2.650 (67.310)	6.500 (165.10)	7.500 (190.50)	15 (4.6)
4K	3.946 (100.228)	2.590 (65.786)	2.650 (67.310)	6.500 (165.10)	7.500 (190.50)	15 (4.6)
5K	4.032 (102.413)	2.840 (72.136)	2.650 (67.310)	6.500 (165.10)	7.500 (190.50)	15 (4.6)



## Specifications

Model Type		RTM				
Accuracy class		NON-NTEP				
Maximum number of load cell intervals ( $n_{LC}$ )						
Maximum capacity ( $E_{max}$ )	lbs	500	1.25K	2.5K	4K	5K
Sensitivity ( $C_n$ )	mV/V	2.0 ± 0.2				
Zero balance		0 ± 0.02				
Temperature effect on zero balance ( $TK_0$ )		± 0.014				
Temperature effect on sensitivity ( $TK_C$ )	% of $C_n$ / 10°C					
Temperature range +20...+40°C [+70...+105°F] -10...+20°C [+15...+70°F]		± 0.021 ± 0.021				
Hysteresis error ( $d_{hy}$ )	% of $C_n$	± 0.03				
Non-linearity ( $d_{lin}$ )		± 0.03				
Creep ( $d_{cr}$ ) over 30 min.		± 0.035				
Input resistance ( $R_{LC}$ )	Ω	350 min				
Output resistance ( $R_O$ )		350				
Reference excitation voltage ( $U_{ref}$ )	V	5				
Maximum excitation voltage ( $U_{max}$ )		15				
Insulation resistance ( $R_{is}$ )	GΩ	5				
Nominal temperature range ( $B_T$ )	°C [°F]	-10...40 [14...104]				
Service temperature range ( $B_{TU}$ )		-15...70 [5...158]				
Storage temperature range ( $B_{TI}$ )		-15...85 [5...185]				
Safe load limit ( $E_L$ )	% of $E_{max}$	150				
Ultimate load limit ( $E_d$ )		300				
Lateral load limit ( $E_{lq}$ )		100				
Permissible dynamic load ( $F_{srel}$ ) (vibration amplitude according to DIN 50100)		70				
Deflection at $E_{max}$ ( $S_{nom}$ ), approx.	in	0.01	0.01	0.01	0.01	0.01
Weight, approx.	lbs	16.4	16.4	16.4	16.4	18
Protection class to EN60529 (IEC529)		IP65				
Material: Measuring element		Stainless Steel				
Cable Fitting Seal		Neoprene				
Cable Sheath		Black Polyurethane				
Coating/Plating		Load cell: Electro-Polish/Mounting plates: Sand Blasted				



Due to continuous improvement, dimensions and specifications are subject to change without notice. All details describe our products in general form only. They are not to be understood as express warranty and do not constitute any liability whatsoever. Please request certified drawings before designing mountings or fixtures.

HBI/DS-RTM-044-Rev1

### HBM, Inc.

19 Bartlett Street  
Marlborough, MA 01752  
Tel. 800-578-4260 • 508-624-4500  
Fax 508-485-7480  
E-mail: info@usa.hbm.com  
Internet: www.hbm.com



measurement with confidence